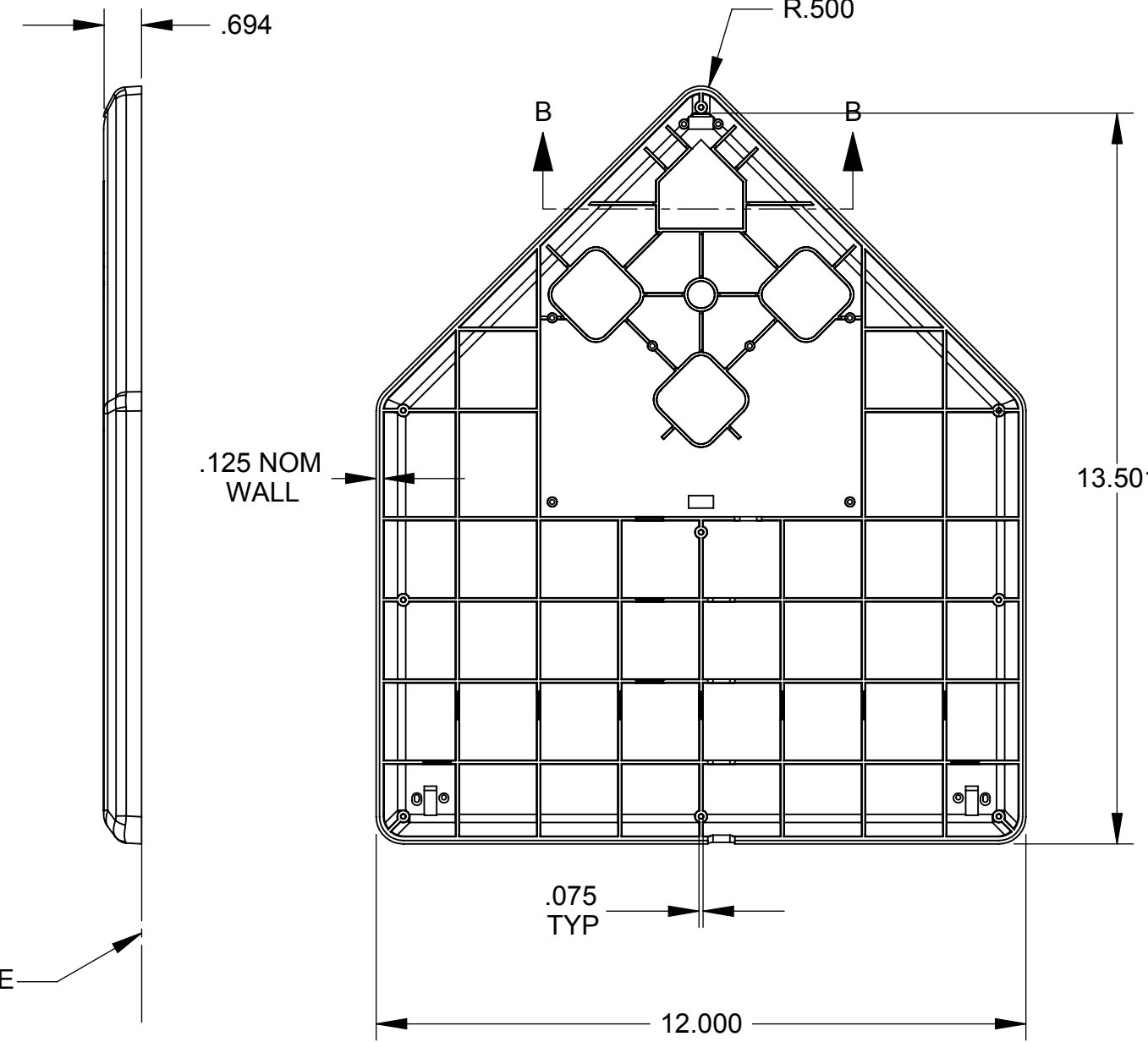
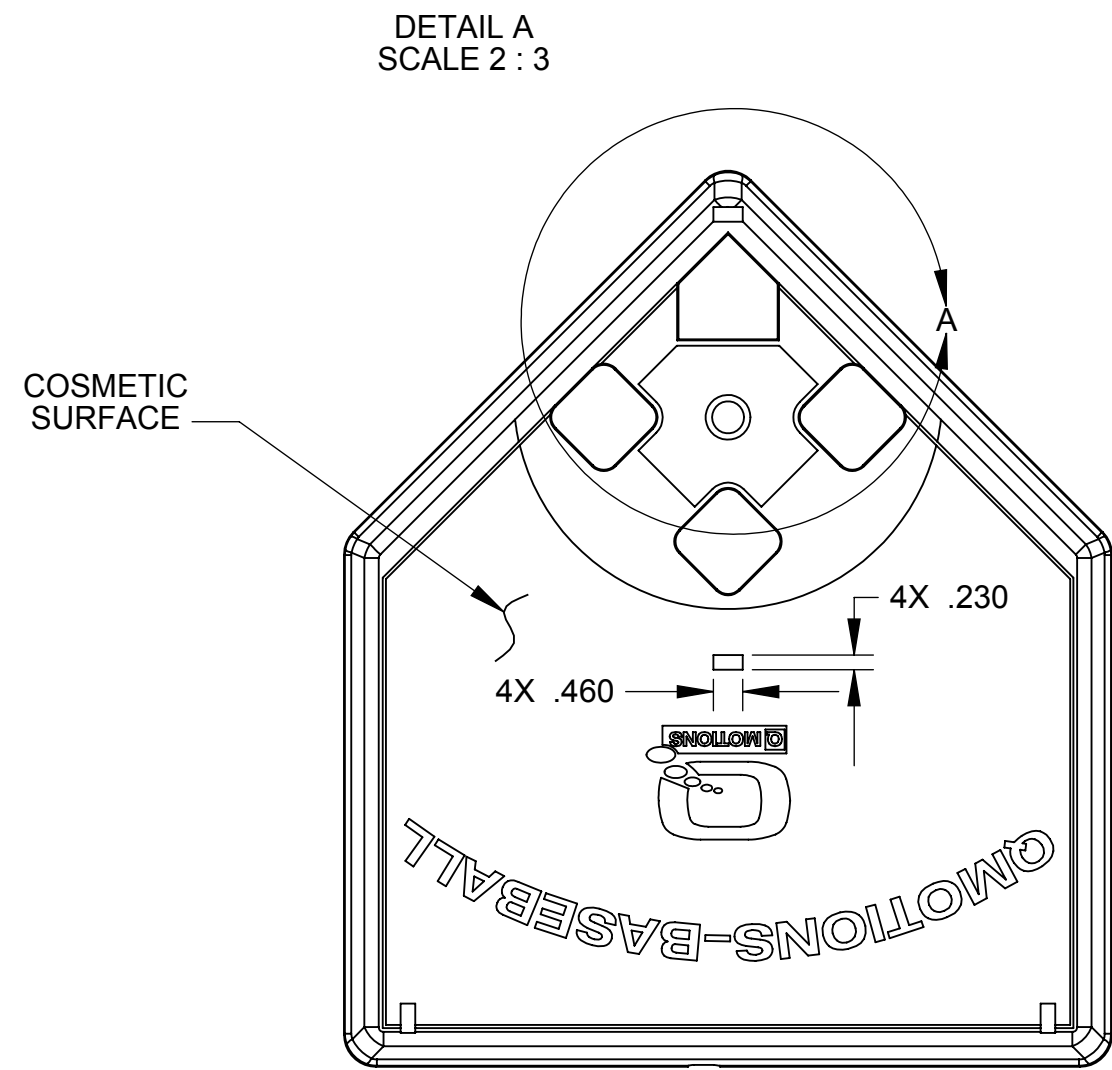
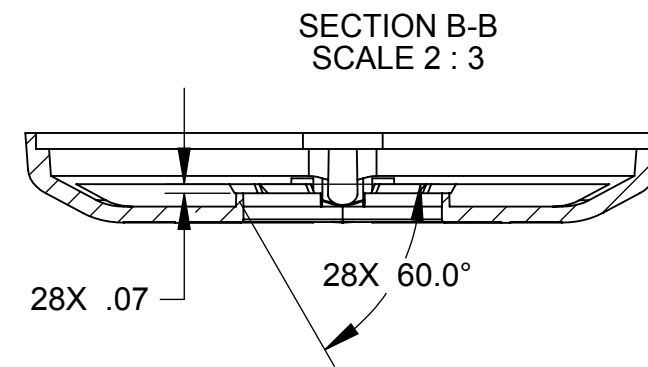
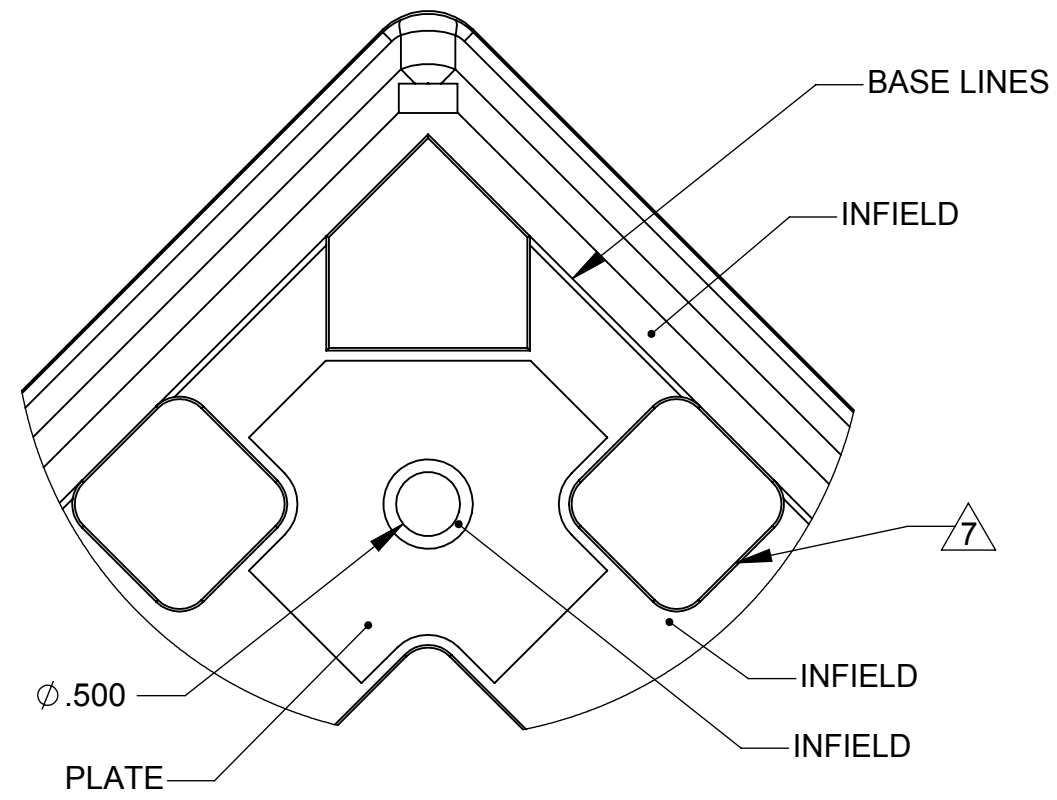


REVISIONS				
ZONE	REV.	DESCRIPTION	DATE	APPROVED
	A	FIRST RELEASE	05/12/05	AJC
	B	REVISED DRAWING	05/27/05	AJC
	C	REVISED DRAWING NOTES	05/27/05	AJC
	D	REVISED DRAWING NOTES 7 & 9	07/21/05	AJC
	E	ADDED SECTION B-B	10/19/05	AJC



FRONT VIEW  
SCALE 1:2

11. TOOLS TO BE CUT FROM CAD DATA. DRAWING FOR INSPECTION ONLY.
  10. ESTIMATED WEIGHT: 402.1 GRAMS
  9. FLASH: HOLES TO BE CLEAR OF ANY FLASH. ALL FLASH TO BE REMOVED FLUSH TO -.005
  8. GATES: NOT ALLOWED ON COSMETIC SURFACE
  7. PARTING LINES: TO BE AS NON-VISIBLE AS POSSIBLE. POST CLEAN AS REQUIRED.
  6. NOMINAL FILLET RADII: .010" - .020"
  5. NOMINAL DRAFT ANGLE: 3° ON OUSIDE WALL  
1° PER SIDE ALL INTERNAL FEATURES
  4. NOMINAL WALL THICKNESS: .125", RIBS .075" MINUS DRAFT
  3. COLOR: PLATE - PMS 356C GREEN  
INFIELD - PMS 466C TAN  
BASE LINES & NAME - WHITE
  2. FINISH/TEXTURE: SPI # MT-1055-3 ON OUTSIDE SURFACE ONLY, INTERNAL SURFACES DO NOT REQUIRE TEXTURE.
  1. MATERIAL: POLYPRO, NATURAL GRADE, COLOR PMS 356C
- NOTES: UNLESS OTHERWISE SPECIFIED

**PROPRIETARY AND CONFIDENTIAL**  
THE INFORMATION CONTAINED IN THIS DRAWING IS THE SOLE PROPERTY OF XXXX. ANY REPRODUCTION IN PART OR AS A WHOLE WITHOUT THE WRITTEN PERMISSION OF XXXX IS PROHIBITED.

UNLESS OTHERWISE SPECIFIED:		NAME	DATE	TITLE: <b>HOME PLATE</b>	
DIMENSIONS ARE IN INCHES		DRAWN	A. Caterina		SIZE DWG. NO. REV <b>C</b> <b>E</b>
TOLERANCES:		CHECKED			
ANGULAR: ±1°		ENG APPR.			
TWO PLACE DECIMAL ±.01		MFG APPR.			
THREE PLACE DECIMAL ±.005		Q.A.		SCALE: 1:3 WEIGHT: SHEET 1 OF 1	
INTERPRET GEOMETRIC TOLERANCING PER:		COMMENTS:			
MATERIAL	--				
FINISH	--				
NEXT ASSY	USED ON				
APPLICATION		DO NOT SCALE DRAWING			